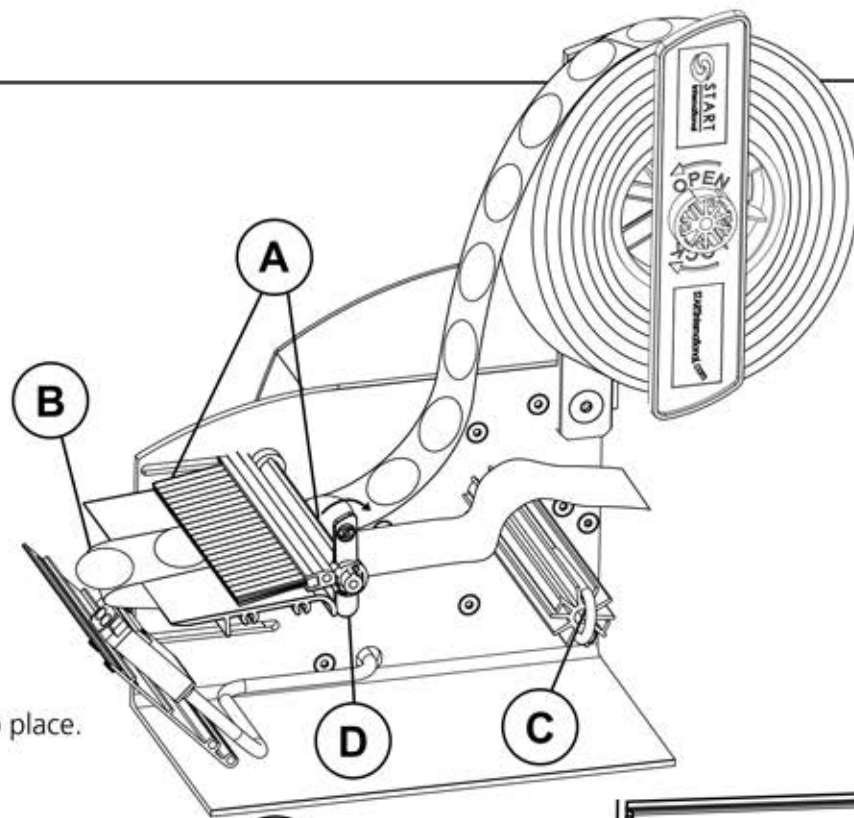


**5**

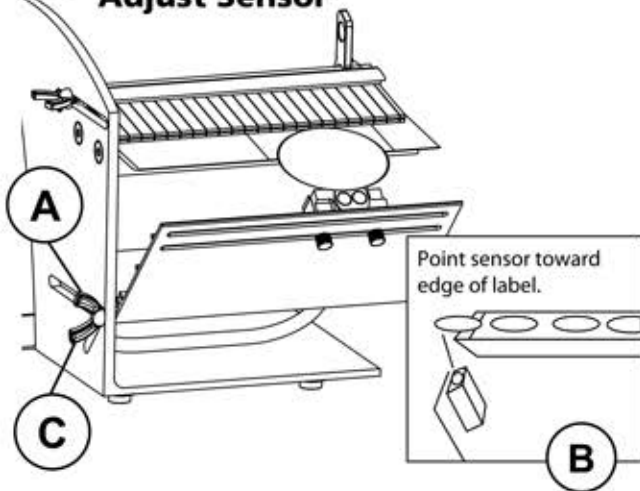
**Load Dispenser**

- A: Feed label liner under guide rod and brush
- B: Bend liner around strip plate (label will hang slightly over edge for lifting)
- C: Slide lock rod back onto take-up hub to secure liner
- D: Slide Small Hub Lock onto guide rod and rotate counter-clockwise until lightly snaps into place.



**6**

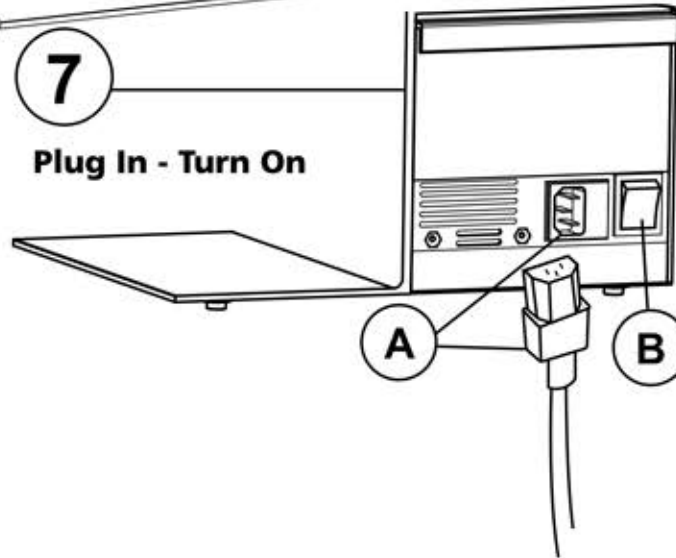
**Adjust Sensor**



- A: Loosen wingscrew to adjust sensor plate
- B: Point sensor towards edge of label
- C: Tighten wingscrew to secure in place

**7**

**Plug In - Turn On**



- A: Connect power cord (in back)
- B: Press power switch (on back) to turn on the machine



**DC6050**  
QuickSTART  
Guide



DC6050

Need more help? Download the full manual or contact us

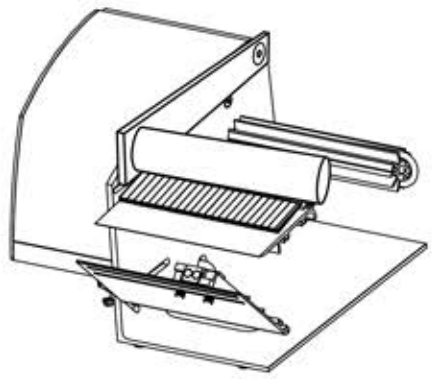
4270 Airborn Dr. Addison, TX 75001, USA  
972.248.1999 | tech@startinternational.com

[www.STARTinternational.com](http://www.STARTinternational.com)

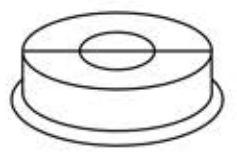
# DC6050

Electric Die-Cut Part Dispenser

## ITEMS INCLUDED



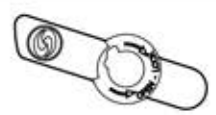
Hex Wrench



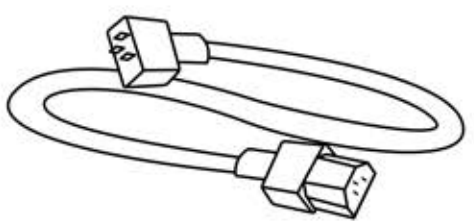
Core Holders (2)



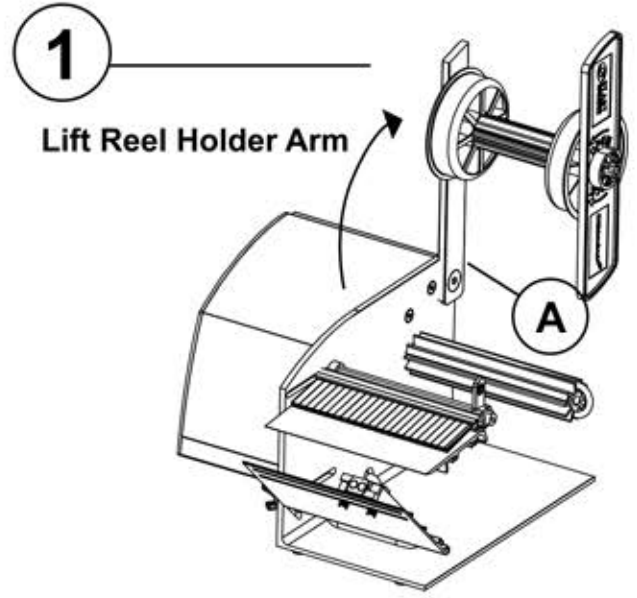
Large Hub Lock



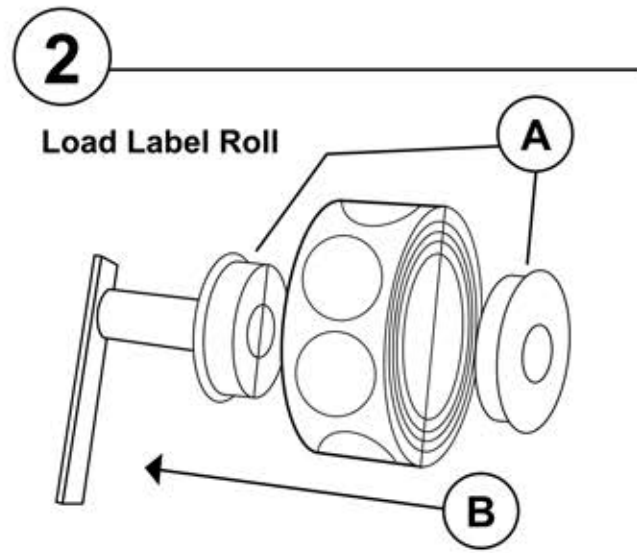
Small Hub Lock



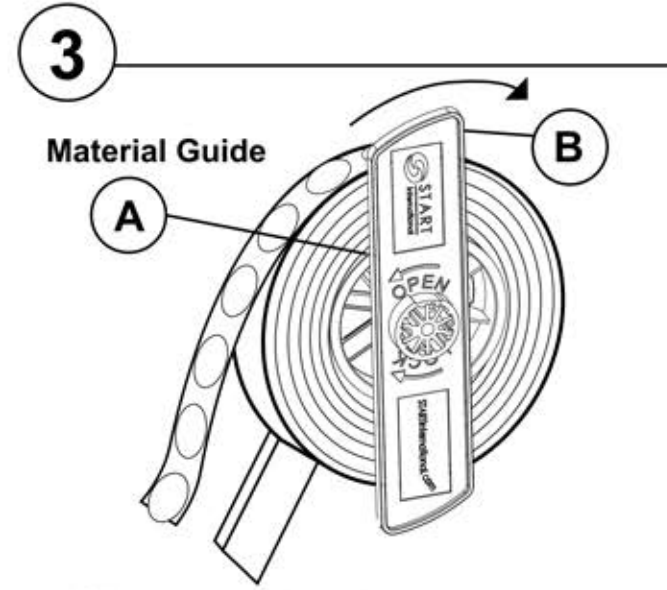
Power Cord



**A:** Lift reel holder arm slightly past 90° angle and lock into position using provided hex wrench

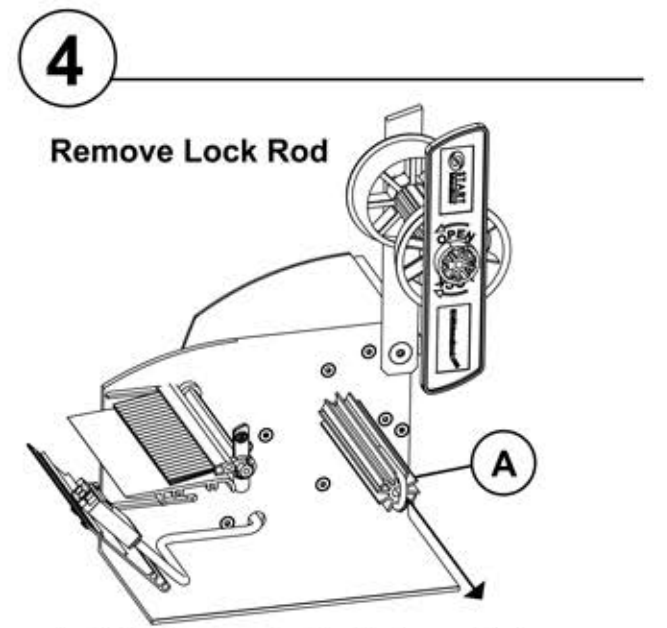


**A:** Insert core holders (2) into each side of your label roll  
**B:** Slide loaded roll onto the reel hanger bar



**A:** Slide Large Hub Lock onto reel hanger bar to secure your label roll

**B:** Rotate the Large Hub Lock lightly clockwise until it snaps into place.



**A:** Slide lock rod off of take-up hub